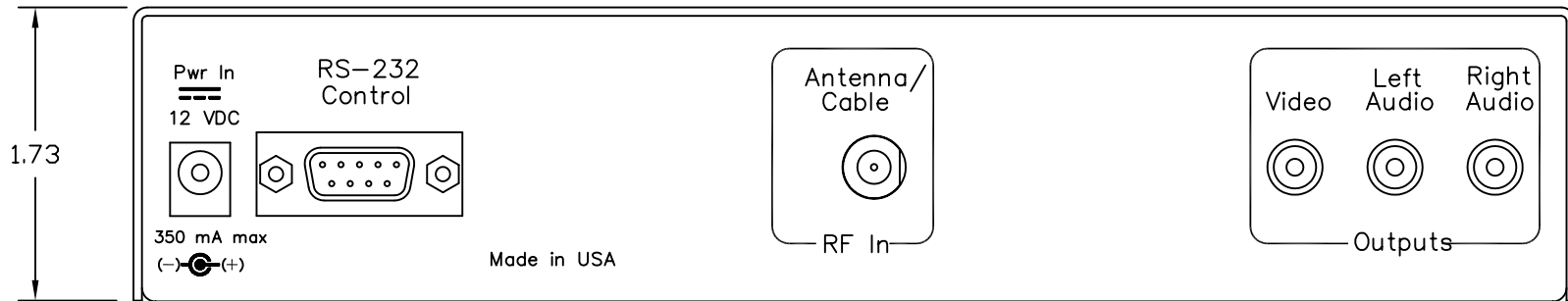


FRONT VIEW



REAR VIEW

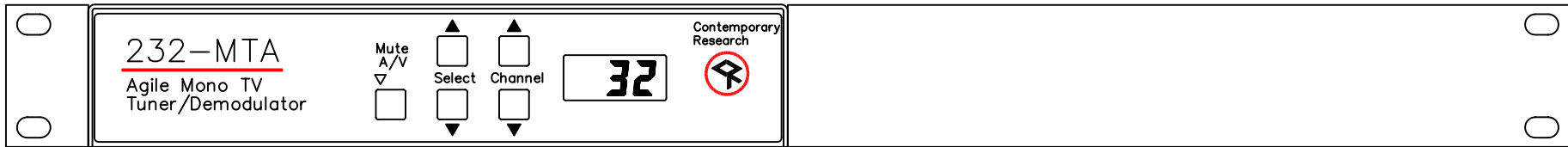
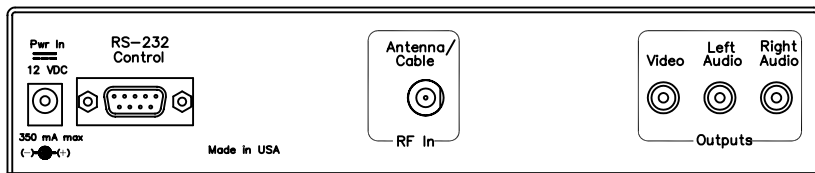
NOTES:

1. OVERALL BOX DEPTH IS 5.95 INCHES.
2. REFERENCE DRAWINGS 950-5008-050 AND 950-5008-060 FOR RK1 AND RK2 RACKMOUNT BRACKET OPTIONS.

UNLESS OTHERWISE SPECIFIED:

DECIMAL DIMENSIONS INCLUDING HOLES XX ±.010
 XXX ±.005
 FRACTIONAL DIMENSIONS INCLUDING HOLES ± 1/64
 ANGLES ± 1°
 SURFACE FLATNESS .003 TIR PER LINEAR INCH.
 ALL DIMENSIONS IN INCHES.
 DO NOT SCALE THIS DRAWING.

SYM	ECO NO.	DESCRIPTION	DATE	APPR.
**** REVISIONS ****				
DRAWN	MEO	DATE	07/23/02	<i>Contemporary Research</i>
CHECKED		DATE		
APPROVED		DATE		TITLE
RELEASED		DATE		PRODUCT DRAWING 232-MTA AGILE MONO TV TUNER/DEMOMULATOR
DIR	FILE	232-MTA_PD.DWG	SCALE	DWG. NO.
			NONE SHT 1 OF 1	950-5017



UNLESS OTHERWISE SPECIFIED:
 DECIMAL DIMENSIONS INCLUDING HOLES XX ±.010
 XXX ±.005
 FRACTIONAL DIMENSIONS INCLUDING HOLES ± 1/64
 ANGLES ± 1°
 SURFACE FLATNESS .003 TIR PER LINEAR INCH.
 ALL DIMENSIONS IN INCHES.
 DO NOT SCALE THIS DRAWING.

SYM	ECO NO.	DESCRIPTION	DATE	APPR.
**** REVISIONS ****				
DRAWN	DATE	Contemporary Research TITLE PRODUCT DRAWING 232-MTA w/RACKMOUNT BRACKETS AGILE MONO TV TUNER/DEMODULATOR		
MEO	07/23/02			
CHECKED	DATE			
APPROVED	DATE			
RELEASED	DATE	SCALE	DWG. NO.	
		NONE	950-5017	
		SHT	1 OF 1	
DIR	FILE	232-MTA_RM_PD.DWG		